

● Crystal Resonator (晶体谐振器) – Leaded Type (引线型)

● C-309



● Applications 用途:

Computer clocks, Video & Audio equipment, pager, Miniature sets.
电脑时基, 视频及声频设备, 传呼机, 小型机件等等。

● Features 特征:

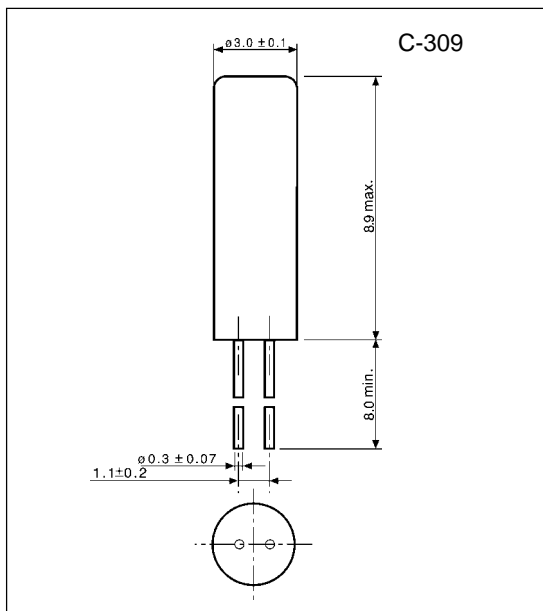
- A cylinder-shaped package. 柱状封装。
- Suitable for high-density mounting. 适合高密度组装。
- Low cost & high stability. 低价且高稳定性

● Typical specifications 规格参数

| Type | 型号 | C-309 | | |
|-------------------------------|---------|--|----------------------|-------------------------|
| Frequency range | 频率范围 | 3.579 ~ 40MHz | 30 ~ 40MHz | 30 ~ 90MHz |
| Cut / Vibration mode | 切型 / 振荡 | (AT) Fundamental(基频) | (BT) Fundamental(基频) | (AT) 3rd Overtone(三次泛音) |
| Frequency tolerance(at +25°C) | 调整频差 | ± 30ppm, ± 50ppm | | |
| Frequency stability | 温度频差 | ± 50ppm | ± 100ppm | ± 50ppm |
| Operating temperature range | 工作温度 | -10 ~ +60°C | | |
| Equivalent series resistance | 等效电阻 | See Table1(见表 1) | | |
| Load capacitance | 负载电容 | Series, 10pF, 12pF, 16pF, 20pF, 30pF, etc. | | |
| Shunt capacitance | 静电容 | 5pF max. | | |
| Level of drive | 激励功率 | 10μW(100μW max.) | | |
| Aging | 老化率 | ± 3, ± 5ppm/year | | |
| Storage temperature range | 储存温度 | -40 ~ +90°C | | |

- Please consult for other specifications. (若有其它规格需求请告知)

● Outline Dimensions [Unit: mm] 外形尺寸



● Table1: Equivalent series resistance (ESR) 等效电阻

| Fundamental | | |
|-----------------|-----------------|--------|
| Cut | Frequency (MHz) | ESR(Ω) |
| AT | 3.579 ~ 3.999 | 200 |
| | 4.000 ~ 4.499 | 150 |
| | 4.500 ~ 4.999 | 120 |
| | 5.000 ~ 5.999 | 100 |
| | 6.000 ~ 8.999 | 80 |
| | 9.000 ~ 9.999 | 60 |
| | 10.000 ~ 12.999 | 50 |
| | 13.000 ~ 18.999 | 35 |
| 19.000 ~ 40.000 | 25 | |
| BT | 30.000 ~ 40.000 | 25 |
| 3rd Over tone | | |
| Cut | Frequency (MHz) | ESR(Ω) |
| AT | 30.000 ~ 34.999 | 80 |
| | 35.000 ~ 39.999 | 70 |
| | 40.000 ~ 44.999 | 65 |
| | 45.000 ~ 49.999 | 60 |
| | 50.000 ~ 90.000 | 80 |