

● Crystal Resonator (晶体谐振器) – Leaded Type(引线型)

● HC-49/US



● Applications 用途:

Personal computer, Notebook, Add-on card, Monitor, USB stick, CATV sets, HDD, Wireless communication, Digital Camera, Set top boxes, Automobile, Fire control, Industry automation, Instrument, etc. 个人电脑, 笔记本电脑, 扩充卡, 显示屏, U盘、高频头、硬驱、无线通讯, 数码相机, 机顶盒, 汽车, 消防, 工业自动化, 仪表等等。

● Features 特征:

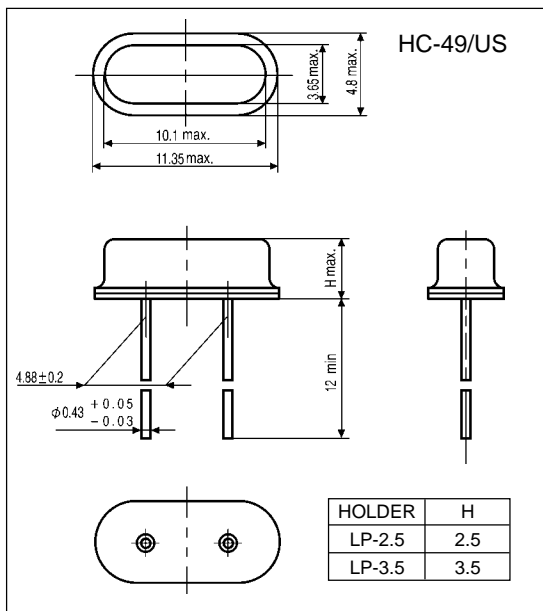
- Low profile metal package. 矮背型金属封装。
- Excellent frequency aging stability. 具备优质的频率老化特性。
- High heat & shock resistance. 高耐热耐冲击电阻。

● Typical specifications 规格参数

Type	型号	LP-3.5 / LP-2.5		
Frequency range	频率范围	3.5~40MHz	26~80MHz	30~50MHz
Cut / Vibration mode	切型 / 振荡	(AT)Fundamental (基频)	(AT)3rd overtone (三次泛音)	(BT)Fundamental (基频)
Frequency tolerance (at +25°C)	调整频差	$\pm 10, \pm 15, \pm 20, \pm 30, \pm 50 \times 10^{-6}$		$\pm 30, \pm 50 \times 10^{-6}$
Frequency stability	温度频差	$\pm 30, \pm 50 \times 10^{-6}$ Typical, See Table 1 (见表1)		$\pm 100 \times 10^{-6}$
Operating temperature range	工作温度	-10~+60°C (-40~+85°C), See Table 1 (见表1)		-10~+60°C
Equivalent series resistance	等效电阻	See Table2 (见表2)		
Load capacitance	负载电容	Series, 10pF, 12pF, 16pF, etc.		
Shunt capacitance	静电容	5pF max.		
Level of drive	激励功率	10 μ (100 μ W max.)		
Aging	老化率	$\pm 3, \pm 5$ ppm/year		
Storage temperature range	储存温度	-55~+125°C		

- Please consult for other specifications. (若有其它规格需求请告知)

● Outline Dimensions [Unit: mm] 外形尺寸



● Table1: Frequency stability (ref. to 25°C) 频率稳定性

O.P Temp.	± 2.5 ppm	± 5 ppm	± 10 ppm	± 20 ppm	± 30 ppm
0~+50°C	●	●	●	●	●
-10~+60°C	●	●	●	●	●
-20~+70°C		●	●	●	●
-40~+85°C			●	●	●

● Table2: Equivalent series resistance (ESR) 等效电阻

AT Fund.(MHz)	ESR(Ω)	AT Fund.(MHz)	ESR(Ω)
3.500~3.799	180	16.000~19.999	40
3.800~4.499	150	20.000~40.000	30
4.500~5.999	120	AT 3rd Overtone	ESR(Ω)
6.000~7.999	80	26.000~39.999	100
8.000~9.999	70	40.000~80.000	80
10.000~11.999	60	BT Fund. (MHZ)	ESR(Ω)
12.000~15.999	50	30.000~50.000	40